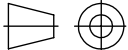


$\% \prime\prime$		
$G?(!\prime)\%G$		